

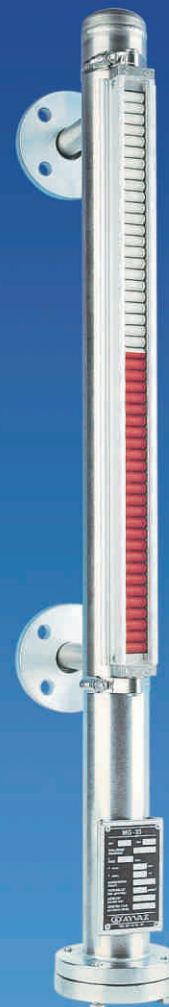
## Cooling & Heating Division

### MAGNETIC LEVEL GAUGES

#### Typical Applications

All steam boilers  
All liquid tanks  
Chemical industry  
LPG tanks  
Underground tanks

# TMLG



### MAIN FEATURES

This TMLG Level Control Device is a comfortable and safe device designed with the basic principles of buoyancy and electromagnetic attraction repulsion.

The magnets inside the liquid level following float excite the red - white colored flaps on the outer wall so that liquid level can be followed from outside continuously and easily TMLG works for various liquids with impervious construction and long life.

# SPECIFICATIONS

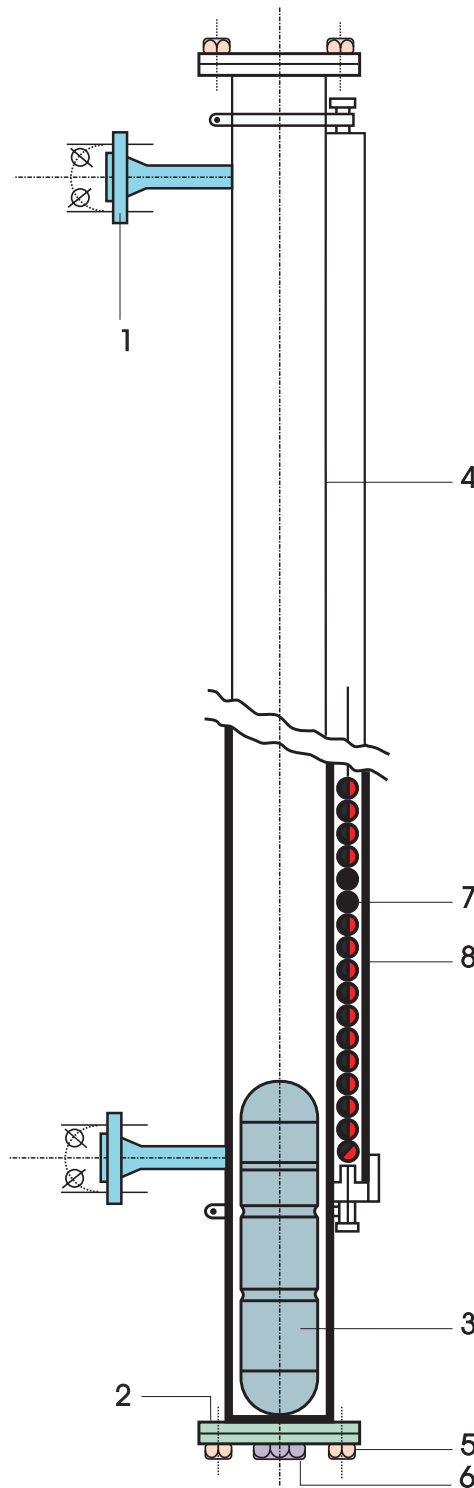
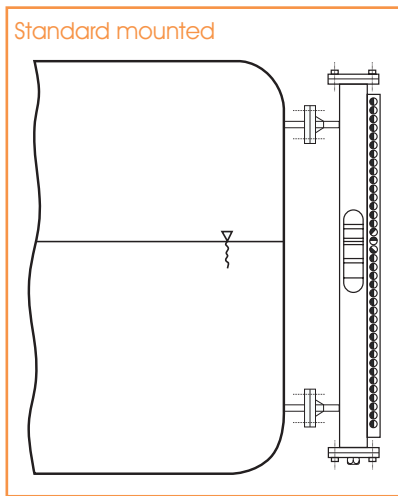
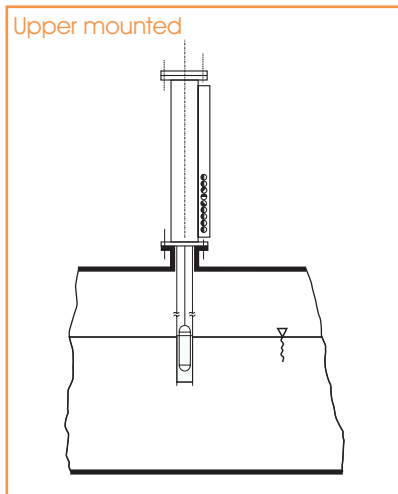
## OPERATING CONDITIONS

|                            |           |     |
|----------------------------|-----------|-----|
| Max. Allowable Pressure    | PMA (bar) | 16  |
| Max. Allowable Temperature | TMA (°C)  | 180 |

## SPARE PARTS

## MATERIAL

| SPARE PARTS         | MATERIAL  |
|---------------------|---|
| 1 Connecting flange | Carbon steel, stainless steel DN 20 / PN 10, 16, 32, 40 |
| 2 Blank flange      | Carbon steel, stainless steel DN 50 / PN 10, 16, 32, 40 |
| 3 Float             | Stainless steel PN 40                                   |
| 4 By - pass tube    | Stainless Steel AISI 304/316                            |
| 5 Bolt              | Stainless Steel AISI 304                                |
| 6 Drain             | Stainless Steel AISI 304                                |
| 7 Magnetic disc     | Plastic + magnet  |
| 8 Display glass     | Plexiglass  |



# HOW TO ORDER

When ordering or requesting for offer, please state:

- Type of operating fluid
- Specific gravity (upto 2 decimals),
- Operating and design pressure, for system
- Operating and design temperature, for system
- Centre to centre distance (C-C) required
- Visible length,
- Type of vessel connections. (from standard scope)

**Special inspection and certification available on request**

In view of our constant endeavor to improve the quality of our products, we reserve the right to alter or change specifications without prior notice.



**THERMAX**

Sustainable Solutions in  
Energy & Environment

## COOLING & HEATING DIVISION

### Services SBU - FEMS

D - 13, MIDC Industrial Area, R. D. Aga Road,  
Chinchwad, Pune 411 019. INDIA  
Tel.: +91-20-2747 5941  
Fax: +91-20-2747 7080  
E-mail: info.c&hservices@thermaxindia.com

### AHMEDABAD 380 006

Tel.: (079) 2657 5408 / 5341 / 7073  
Fax: (079) 2657 7270  
E-mail: mambiar@thermaxindia.com

### BANGALORE 560 020

Tel.: (080) 2346 7761 - 64  
Fax: (080) 2346 7760  
E-mail: adminblr@thermaxindia.com

### CHENNAI 600 018

Tel.: (044) 2435 3831 - 34  
Fax: (044) 2435 3841  
E-mail: chennaidivsupp@thermaxindia.com

### HYDERABAD 500 482

Tel.: (040) 2339 6820, 2331 0254  
Fax: (040) 2331 2335  
E-mail: hyd\_sec@thermaxindia.com

### MUMBAI 400 016

Tel.: (022) 2204 5391, 2204 5324  
Fax: (022) 2204 0859  
E-mail: psecretat@thermaxindia.com

### NEW DELHI 110 057

Tel.: (011) 2614 5319, 2614 5701  
Fax: (011) 2614 5311, 2614 8679  
E-mail: psupport@thermaxindia.com

### KOLKATA 700 016

Tel.: (033) 2282 6711 - 13  
Fax: (033) 2282 6769  
E-mail: mbiswas@thermaxindia.com

### VADODRA 390 005

Tel.: (0265) 231 4802, 234 5442  
Fax: (0265) 231 0051  
E-mail: pbaroda@thermaxindia.com

[www.thermaxindia.com](http://www.thermaxindia.com)

International offices at  
Indonesia, Russia, Kazakstan, Saudi Arabia,  
Malaysia, Bangladesh, Sri Lanka, Hong Kong, China  
Thailand, UAE, Kenya, Nigeria, Brazil, UK, USA

## Thermax Business Portfolio

Boilers & Heaters

Absorption Cooling

Air Pollution Control

Captive Power

Chemicals

Water & Waste Solutions