

## C&H SERVICES SBU



### ■ What is Qcal™ ?

Qcal (Heat meter) is an online metering system installed at the outlet of Thermic Fluid Heater/ Hot Water Generators/ process equipments to measure heat input to process equipment / heat generation by heater.

## Why to measure heat output?

- To monitor the performance of the heater
- To monitor heat requirement of the plant
- For costing of the product
- For leakage / wastage detection

## Technical Specifications

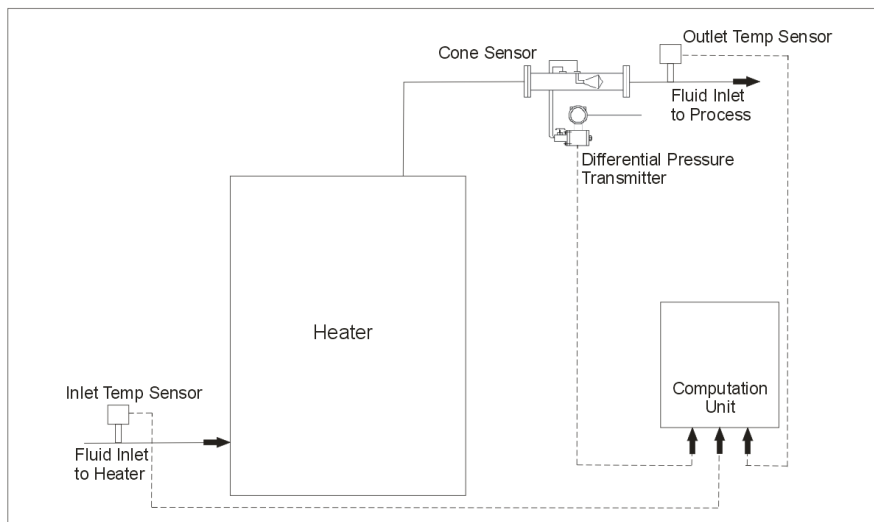
Size	40 to 200 NB
Type of Meter	Differential Pressure (DP Type)
Flow Element	Cone Sensor *
Accuracy of Meter	± 1% of actual flow
Display	2 Line LCD Display with Blue backlight.
Power Supply *	230 VAC ± 10%, 50 Hz, Single Phase

(\* Orifice Plate for 200 NB) Any other non-standard requirement, please contact Thermax.

## Features & Benefits

- Indication of inlet temp, outlet temp, instant heat & total heat on LCD display.
- Operating modes : Reset, Display, Configuration, Calibration, Check, Set time, Logs (Optional), Communication (Optional)
- Password protection for all operating modes (except display mode)
- Computer interface to supervisory computer through RS232 or RS485 communication link.
- Retransmission of totalised heat parameters.

## Arrangement of Qcal



## Application of Qcal

- Hot Water generators
- Thermic Fluid heaters
- Process equipments. e.g. Stenter, Heating vessels, curing presses, etc.

For more information, please get in touch with your nearest Thermax representative. You can also mail us at [info.c&hservices@thermaxindia.com](mailto:info.c&hservices@thermaxindia.com) or visit us at : [www.thermaxindia.com](http://www.thermaxindia.com).

In view of our constant endeavour to improve the quality of our products, we reserve the right to alter or change specifications without prior notice. All photographs shown in this publication are representative in purpose, and to be used for reference only. For actual details and specifications, please refer to Thermax offer document.



**THERMAX**

Sustainable Solutions in  
Energy & Environment

### COOLING & HEATING DIVISION Services SBU

D - 13, MIDC Industrial Area, R. D. Aga Road,  
Chinchwad, Pune 411 019. INDIA  
Tel. : +91-20-2747 5941  
Fax : +91-20-2747 7080  
E-mail : [info.c&hservices@thermaxindia.com](mailto:info.c&hservices@thermaxindia.com)

#### AHMEDABAD 380 006

Tel. : (079) 2657 5408 / 5341 / 7073  
Fax : (079) 2657 7270  
E-mail : [admin@thermaxindia.com](mailto:admin@thermaxindia.com)

#### BANGALORE 560 020

Tel. : (080) 2346 7761 - 64  
Fax : (080) 2346 7760  
E-mail : [adminblr@thermaxindia.com](mailto:adminblr@thermaxindia.com)

#### CHENNAI 600 018

Tel. : (044) 2435 3831 - 34  
Fax : (044) 2435 3841  
E-mail : [chennaidivsupp@thermaxindia.com](mailto:chennaidivsupp@thermaxindia.com)

#### HYDERABAD 500 482

Tel. : (040) 2339 6820, 2331 0254  
Fax : (040) 2331 2335  
E-mail : [hyd\\_sec@thermaxindia.com](mailto:hyd_sec@thermaxindia.com)

#### MUMBAI 400 016

Tel. : (022) 2204 5391, 2204 5324  
Fax : (022) 2204 0859  
E-mail : [psecret@thermaxindia.com](mailto:psecret@thermaxindia.com)

#### NEW DELHI 110 057

Tel. : (011) 2614 5319, 2614 5701  
Fax : (011) 2614 5311, 2614 8679  
E-mail : [psupport@thermaxindia.com](mailto:psupport@thermaxindia.com)

#### KOLKATA 700 017

Tel. : (033) 2282 6711 - 13  
Fax : (033) 2282 6796  
E-mail : [mbiswas@thermaxindia.com](mailto:mbiswas@thermaxindia.com)

#### International Offices:

##### MIDDLE EAST (DUBAI)

Tel: +9714-8861424; E-mail:  
[info@thermaxdubai.ae](mailto:info@thermaxdubai.ae)

##### SOUTH EAST ASIA (MALAYSIA)

Tel: +60127798493  
Email: [thermax@tm.net.my](mailto:thermax@tm.net.my)

##### HO, AFRICA, SAARC & OTHER COUNTRIES

Tel: +91-20-66128802/8818/8845  
Email: [info.c&hservices@thermaxindia.com](mailto:info.c&hservices@thermaxindia.com)

#### International offices:

Indonesia, Russia, Kazakstan, Saudi Arabia,  
Bangladesh, Sri Lanka, Hong Kong, China,  
Thailand, Malaysia, Philippines, UAE, Kenya,  
Nigeria, Brazil, UK, USA

## Thermax Business Portfolio

### Boilers & Heaters

### Absorption Cooling

### Air Pollution Control

### Captive Power

### Chemicals

### Water & Waste Solutions